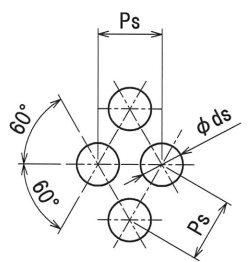
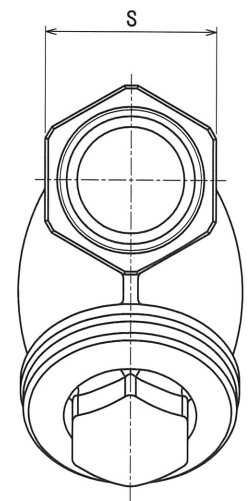
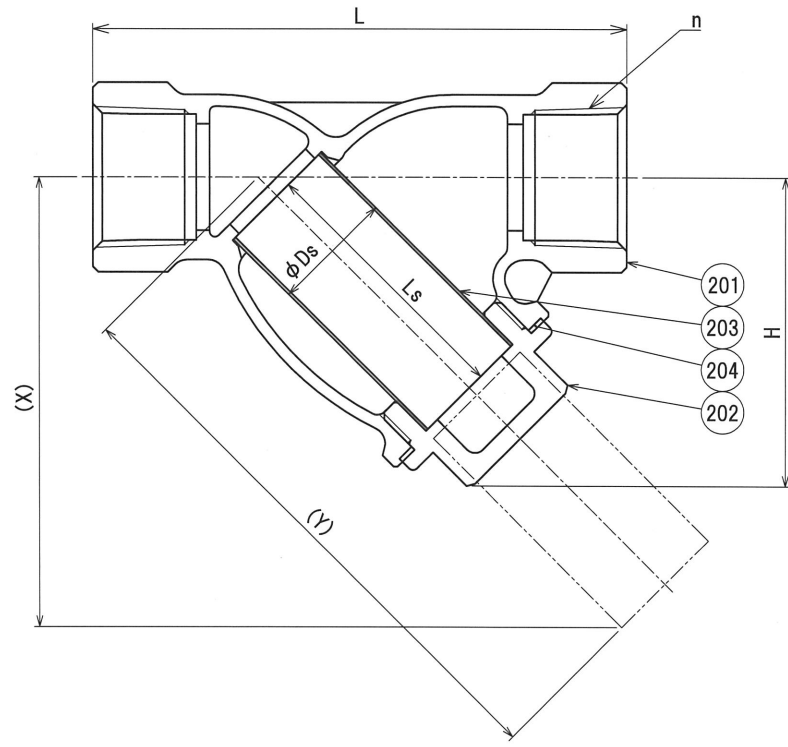


SIZE		n	L	H	S	X	Y	SCREEN				Unit: mm
A	B							Ds	Ls	Ps	ds	WEIGHT (kg)
15	1/2	Rc 1/2	80	49	27.5	70	91	18	40	3	2	0.3
20	3/4	Rc 3/4	100	58	33.5	85	109	23	50			0.5
25	1	Rc 1	115	71	41	108	138	29	64			0.8
32	1 1/4	Rc 1 1/4	135	82	51	127	162	36	75			1.1
40	1 1/2	Rc 1 1/2	160	98	58	152	194	44	90			1.7
50	2	Rc 2	195	120	71	191	244	54	115	2.7		



OPTION SCREEN MESH SPEC.	
20MESH	
60MESH	
80MESH	

SCREEN DETAIL OPTION SCREEN MESH SPEC.

2-1	INSPECTION SEAL		1	
204	GASKET	NON-ASBESTOS	1	
203	SCREEN	SUS304	1	Standard 40 MESH
202	CAP	C3771B	1	
201	BODY	CAC902	1	
No.	Name of Parts	Materials	Q'ty	Descriptions
PRESSURE INSPECTION				
DELIVERY INSPECTION (INSPECTION)			FORM INSPECTION (TEST)	
BODY	0.60 [MPa] (Air)		2.10 [MPa] (Water)	
SEAT	-		-	
LEAD-FREE BRONZE 10K SCREWED Y-TYPE STRAINER with JWVA inspection stamp				FIGURE B10YTN
Approval	Check	Drawing	Date	Scale
	<i>S. Ume</i>	T.KURISU	2026.02.10	
Yamato Valve Co., Ltd.			Drawing No. BBSCH-R003E-E	