



Front

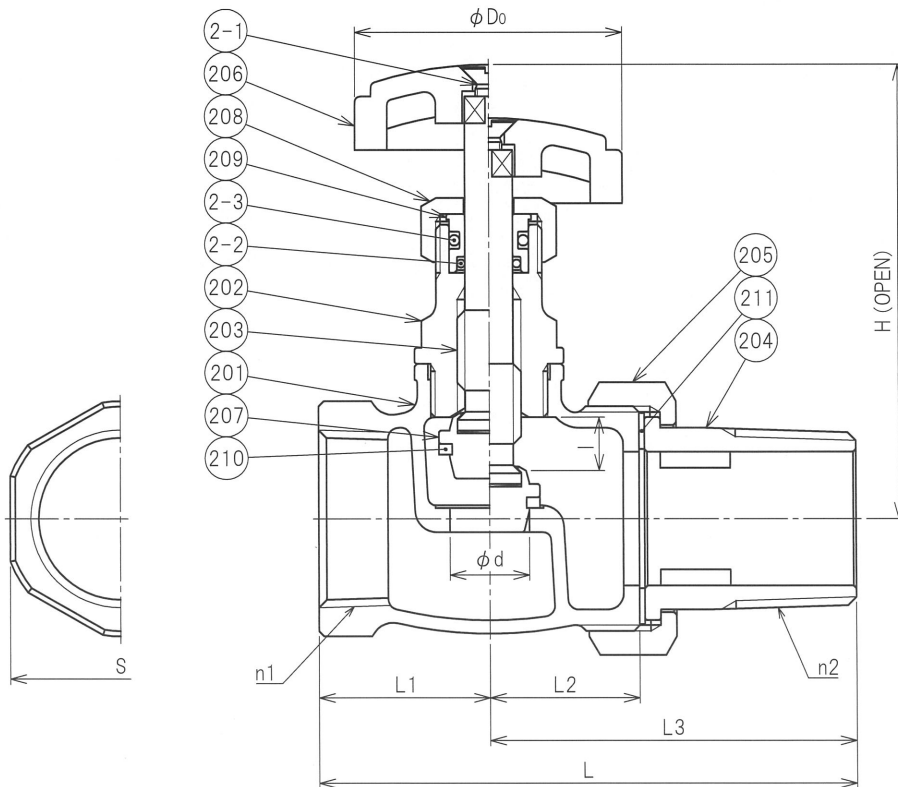


Back

Body Marking(Ex. Size 1)

SIZE		d	n1	n2	L	L1	L2	L3	D ₀	l	H	S	WEIGHT
A	B												(kg)
15	1/2	10	Rc 1/2	R 1/2	77	25	23	52	50	7	69	27	0.3
20	3/4	12	Rc 3/4	R 3/4	86.5	27.5	27	59		8	75.5	33	0.5
25	1	15	Rc 1	R 1	95	32	28	63		10	85	41	0.7

Unit : mm



No.	Name of Parts	Materials	Q'ty	Descriptions
2-3	O RING	EPDM	1	
2-2	O RING	EPDM	1	
2-1	HANDLE SCREW	SUS304	1	
211	GASKET	NON-ASBESTOS	1	
210	DISC	PTFE	1	
209	GLAND	C3604BD	1	
208	PACKING NUT	C3604BD	1	
207	DISC HOLDER	C3604BD	1	
206	HAND WHEEL	PHENOL RESIN	1	
205	UNION NUT	C3771	1	Size 1
		C3604BD		Size 1/2, 3/4
204	UNION NIPPLE	C3604BD	1	
203	STEM	C3604BD	1	
202	BONNET	C3604BD	1	
201	BODY	CAC406	1	

No.	Name of Parts	Materials	Q'ty	Descriptions
PRESSURE INSPECTION				
DELIVERY INSPECTION (INSPECTION)		FORM INSPECTION (TEST)		
BODY	0.60 [MPa] (Air)	2.10 [MPa] (Water)		
SEAT	0.60 [MPa] (Air)	1.54 [MPa] (Water)		

ADJUST TYPE BRONZE RADIATOR STRAIGHT VALVES				FIGURE
				BSF
Approval	Check	Drawing	Date	Scale

	S. Vmo	T.KURISU	2025.01.09	
--	--------	----------	------------	--

Yamato Valve Co., Ltd.			Drawing No. BBJAA-R009L-E	
-------------------------------	--	--	------------------------------	--