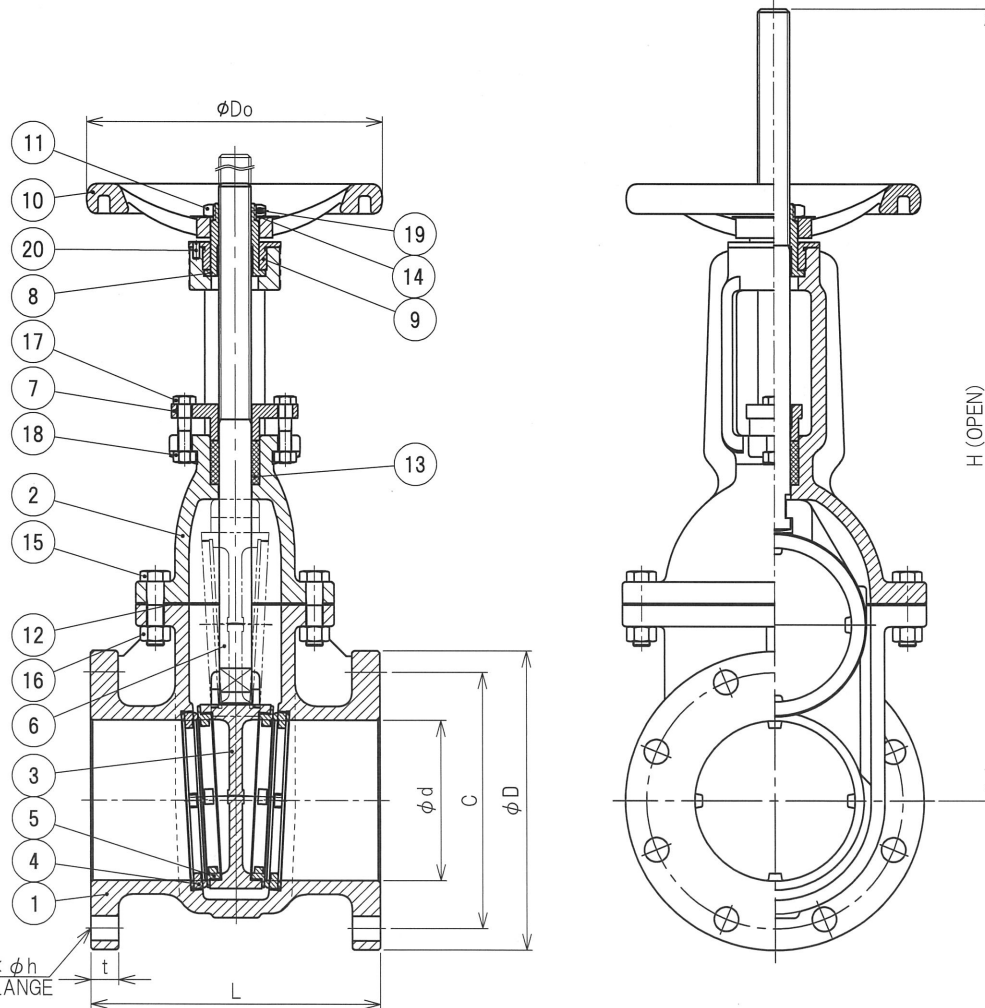


Unit: mm

SIZE		d	L	FLANGE					Do	H	WEIGHT (kg)
A	B			D	C	n	h	t			
50	2	50	180	155	120	4	19	20	190	346	15.1
65	2½	65	190	175	140	4	19	22	190	391	19.1
80	3	80	200	185	150	8	19	22	210	469	23.6
100	4	100	230	210	175	8	19	24	240	545	35.0
125	5	125	250	250	210	8	23	24	260	638	48.3
150	6	150	270	280	240	8	23	26	270	740	66.6
200	8	200	290	330	290	12	23	26	300	940	102.8
250	10	250	330	400	355	12	25	30	350	1125	165.0
300	12	300	350	445	400	16	25	32	390	1329	226.0



20	TAPER PIN	SS400	1	
19	SET SCREW	SS400	1	
18	NUT	SS400	2	
17	BOLT	SS400	2	
16	NUT	SS400	1set	
15	BOLT	SS400	1set	
14	NAME PLATE	A1050P	1	
13	PACKING	NON-ASBESTOS	1set	
12	GASKET	NON-ASBESTOS	1	
11	NUT	SCS13A	1	
10	HAND WHEEL	FC200	1	
9	WASHER	FC200 Or FCD450	1	
8	YOKE SLEEVE	CAC406	1	
7	PACKING GLAND	SCS13	1	
6	STEM	SUS420J1	1	
5	DISC SEATRING	CAC406	2	Size 125 Over
4	BODY SEATRING	CAC406	2	
3	DISC	FC200 CAC406	1	Size 125 Over Size 100 Under
2	BONNET	FC200	1	
1	BODY	FC200	1	

No.	Name of Parts	Materials	Q'ty	Descriptions
PRESSURE INSPECTION (JIS B 2031)				
DELIVERY INSPECTION (INSPECTION)			FORM INSPECTION (TEST)	
BODY	50A 0.60 [MPa] (Air)		2.10 [MPa] (Water)	
	65-300A 2.10 [MPa] (Water)			
SEAT	0.60 [MPa] (Air)		1.54 [MPa] (Water)	

JIS B 2031				FIGURE
CAST IRON 10K FLANGED GATE VALVES, OUTSIDE SCREWED & YOKE				F10GE
Approval	Check	Drawing	Date	Scale
		A.SETOGUCHI	2023.02.06	
Yamato Valve Co., Ltd.				図番 Drawing No. FBAAG-R001K-E