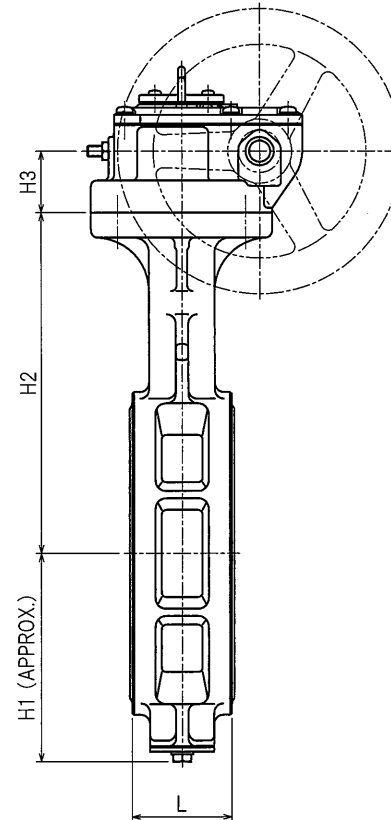
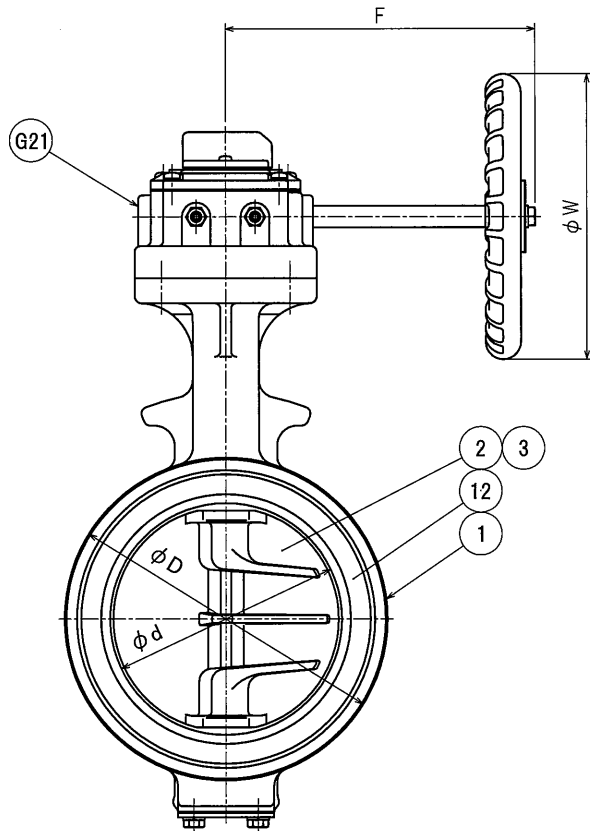


SIZE		d	L	D	H1	H2	H3	E	K	F	W	WEIGHT APPROX. (kg)
inch	mm											
5 B	125A	130	56	181	118	191	34.5	44	53	173.5	160	9.6
6 B	150A	153.5		211	135	202						11.2

MAXIMUM PERMISSIBLE WORKING PRESSURE
1.0 MPa

FLANGE RATING
JIS 5K
JIS 10K

TYPE	SEAT RING
GR-SN	NBR
GR-SE	EPDM



No.	Name of Parts	Materials	Q'ty	Descriptions
G21	WORM GEAR ACTUATOR	FC200	1	
12	SEAT RING	EPDM	1	
		NBR		
3	STEM	SUS420J2	1set	
2	DISC	SCS14	1	
1	BODY	FCD450-10	1	

TEST PRESSURE				
BODY (Water)	1.5 MPa			
SEAT (Water)	1.1 MPa			

JIS B 2032 CONFORMITY PRODUCT				FIGURE
GEAR TYPE BUTTERFLY VALVE				GR

Approval	Check	Drawing	Date	Scale
S. Ume & H. Horigan		S.TEHARA	2017.11.17	

Yamato Valve Co., Ltd.	図番	Drawing No. GR-48433-B
-------------------------------	----	------------------------