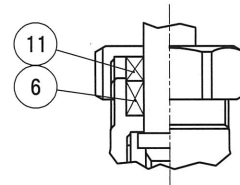
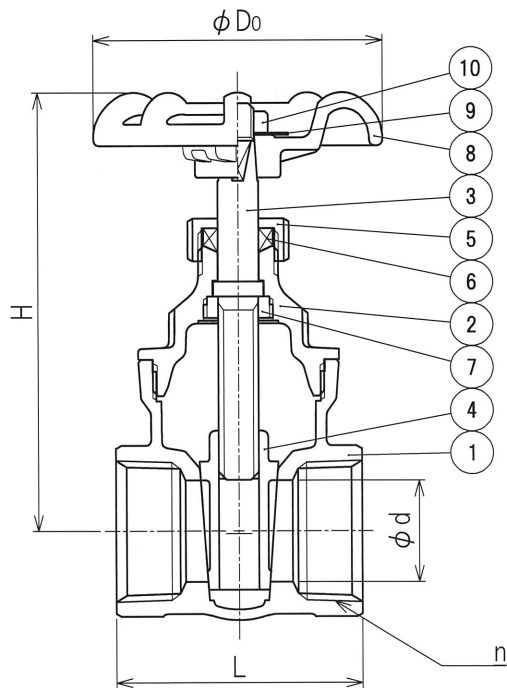


Marking(Size 3/4)

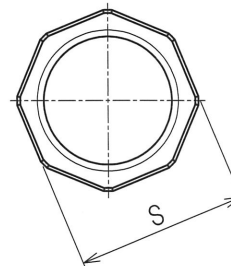
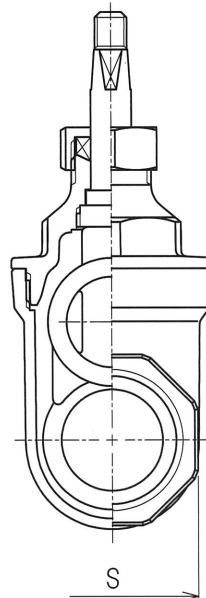
SIZE		d	L	n	D ₀	H	S	WEIGHT (kg)
A	B							
15	1/2	13	42	Rc 1/2	54	73	26	0.25
20	3/4	19	46	Rc 3/4	54	83	32	0.32
25	1	24	50	Rc 1	61	94	39	0.48
32	1 1/4	31	58	Rc 1 1/4	77	114	48	0.71
40	1 1/2	37	61	Rc 1 1/2	77	123	54	0.87
50	2	49	72	Rc 2	83	148	67	1.46
65	2 1/2	63	89	Rc 2 1/2	105	183	82	2.53
80	3	75	101	Rc 3	132	212	96	3.75

PRESSURE AND TEMPRATURE SPECIFICATION

Fluid Condition	Maximum allowable pressure
Oil, Air, Pulsating flow 100°C or bellow	0.88 MPa
Steady flow 100°C or bellow	1.2 MPa



SIZE 1 1/4 ~ 3



SIZE 2 ~ 3

No.	Name of Parts	Materials	Q'ty	Descriptions
11	PACKING GLAND	C3604B	1	SIZE 1 1/4 Over
10	HANDWHEEL NUT	C3604B	1	
9	NAME PLATE	A1100P	1	
8	HANDWHEEL	ADC12	1	
7	STEM COLLER	C3604B	1	
6	PACKING	NON-ASBESTOS	1	
5	PACKING NUT	C3771B C3604B	1	SIZE 1 1/4 Over SIZE 1 Under
4	DISC	C3771B	1	
3	STEM	C3604B	1	
2	BONNET	C3771B	1	
1	BODY	C3771B CAC203	1	SIZE 1 1/2 Under SIZE 2 Over

No.	Name of Parts	Materials	Q'ty	Descriptions
PRESSURE INSPECTION				
		DELIVERY INSPECTION (INSPECTION)		
		FORM INSPECTION (TEST)		
BODY	0.6 MPa (Air)	1.8 MPa (Water)		
SEAT	0.6 MPa (Air)	1.3 MPa (Water)		

BRASS 125Lbs SCREWED GATE VALVE FIGURE
LIG

Approval	Check	Drawing	Date	Scale
<i>T. Nishikawa</i>		T.Nishikawa	2022.04.27	

Yamato Valve Co., Ltd. 図番 Drawing No. REAGP-R002E