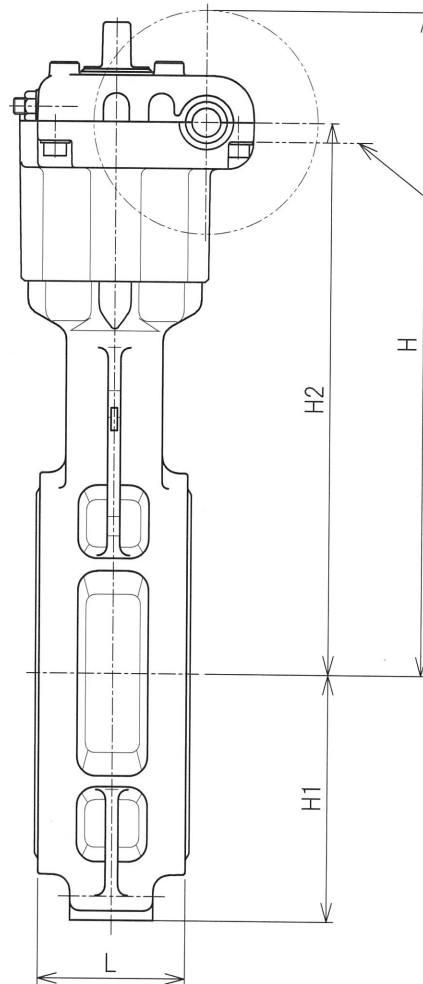


Size		d	L	D	H	H1	H2	L1	L2	S	D <sub>0</sub>	Unit:mm
A	B											Weight
50	2	56	43	91	201	57	166	22.5	26	85	70	1.0
65	2 1/2	69	46	111	214	64	179					1.2
80	3	84		125	207	77	172					1.7
100	4	104	52	147	218	94	183	28	31	110	100	2.2
125	5	130	56	180	261	108	211	46	42	133		3.8
150	6	153.5		210	272	125	222					4.7
200	8	199	60	255	319.5	167	257	53	40	162	125	7.2

Maximum Permissible Working Pressure  
1.0 MPa

Flange Connection  
JIS5K  
JIS10K

Surround a heat insulator to two points of dot-dash line part.  
(The position where a volt is covered)



No.	Name of Parts	Materials	Q'ty	Descriptions
G21	Worm Gear Actuator	ADC12/(Resin)	1set	
2-1	Inspection Seal		1	
12	Seat ring	Silicone Rubber	1	
3	Stem	SUS420J2	1set	
2	Disc	SCS14	1	
1	Body	ADC12	1	

Test Pressure				
Body (Water)		1.75 MPa		
Seat (Water)		1.10 MPa		

JIS B 2032 CONFORMITY PRODUCT  
GEAR-TYPE ALUMINIUM BUTTERFLY VALVES  
with JWVA inspection stamp

Figure  
YJR

Approval	Check	Drawing	Date	Scale
<i>S. Ume</i>	T.KURUSU		2026.05.12	

**Yamato Valve Co., Ltd.** YJR-66894-A-E